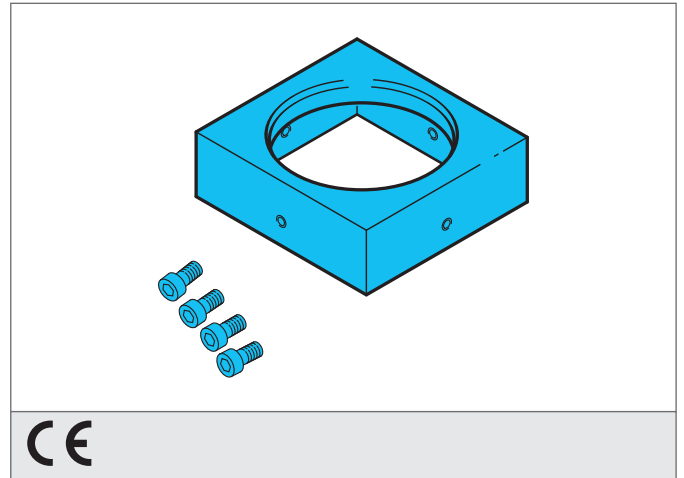


**BEK 1-P-27**  
**Holder for filter disk**

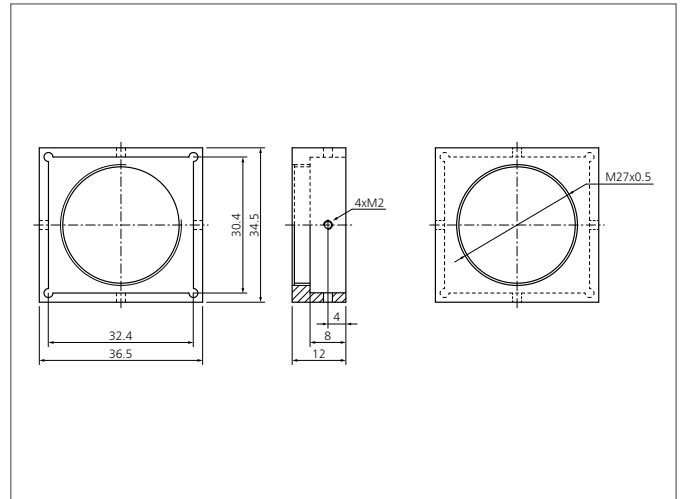
- Reliable and quick mounting of filter disks on BEK 1-P... spotlights
- Robust design
- Aluminium casing



CE

**Safety instructions**

The Instruments are not to be used for safety applications, in particular applications in which safety of persons depends on proper operation of the instruments.  
 These instruments shall exclusively be used by qualified personnel.



TECHNICAL INFORMATION (typ.)	
Size	<b>+20°C, 24V DC</b> 36,5 x 34,5 x 12 mm (Dimensions) M27 x 0,5 (thread)
For	Spotlights BEK 1-Pxx ... (axial)
Casing material	Aluminium black anodized
Weight	15 g
Scope of delivery	Holder for filter disk, 4 cylinder head screws M2